

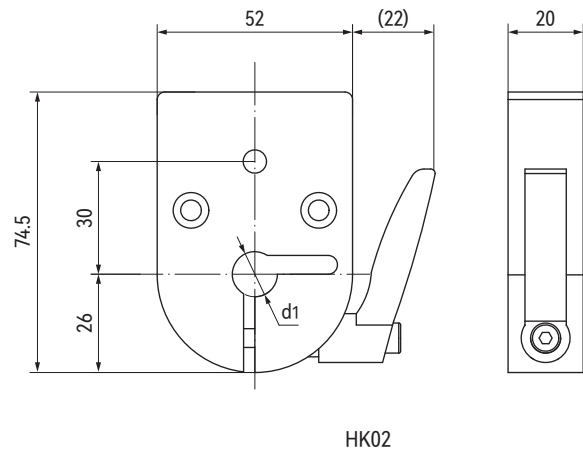
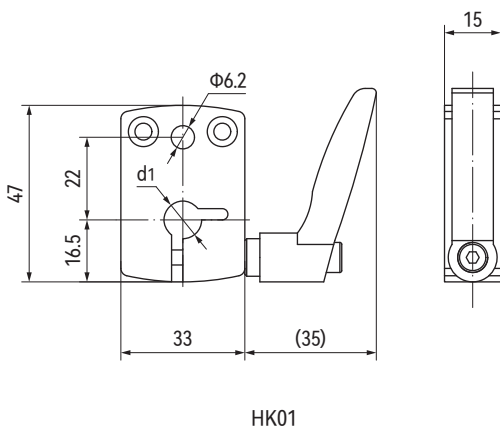
丝杆夹 Lead screw clamp



产品特性 Product features

- 丝杆夹安装在丝杆上用于连接位置指示器
 - 用于给丝杆提供机械制动
 - 带手柄的铝制丝杆夹，表面经过氧化处理
- Lead screw clamps for attachment to the position indicator and subsequent mounting on the lead screw
 - Provides a mechanical brake to the lead screw
 - Aluminum clamp with handle, anodized surface

标准规格 Standard specifications



产品编码 Part No.	d ₁ 孔径 Inner diameter [mm]	重量 Weight [kg]
HK01-d1	8/10/12	85
HK02-d1	10/12/14/15/16/17	200

产品编码 Part No.:

HK01-d1

— 孔径 Inner diameter
— 产品型号 Type